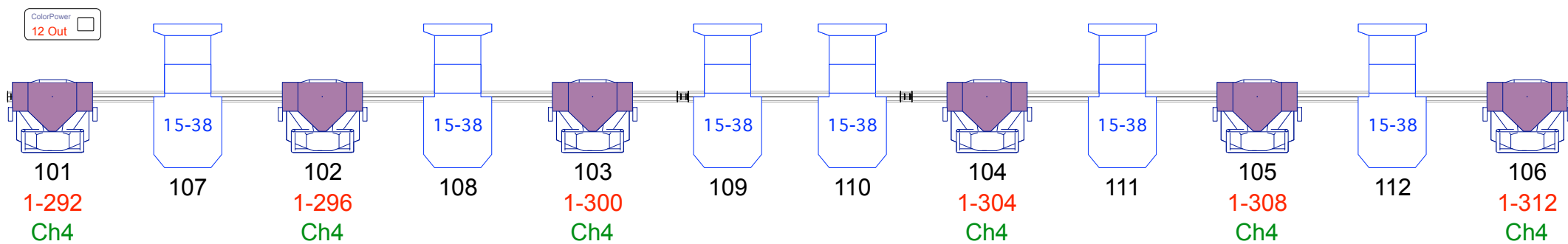
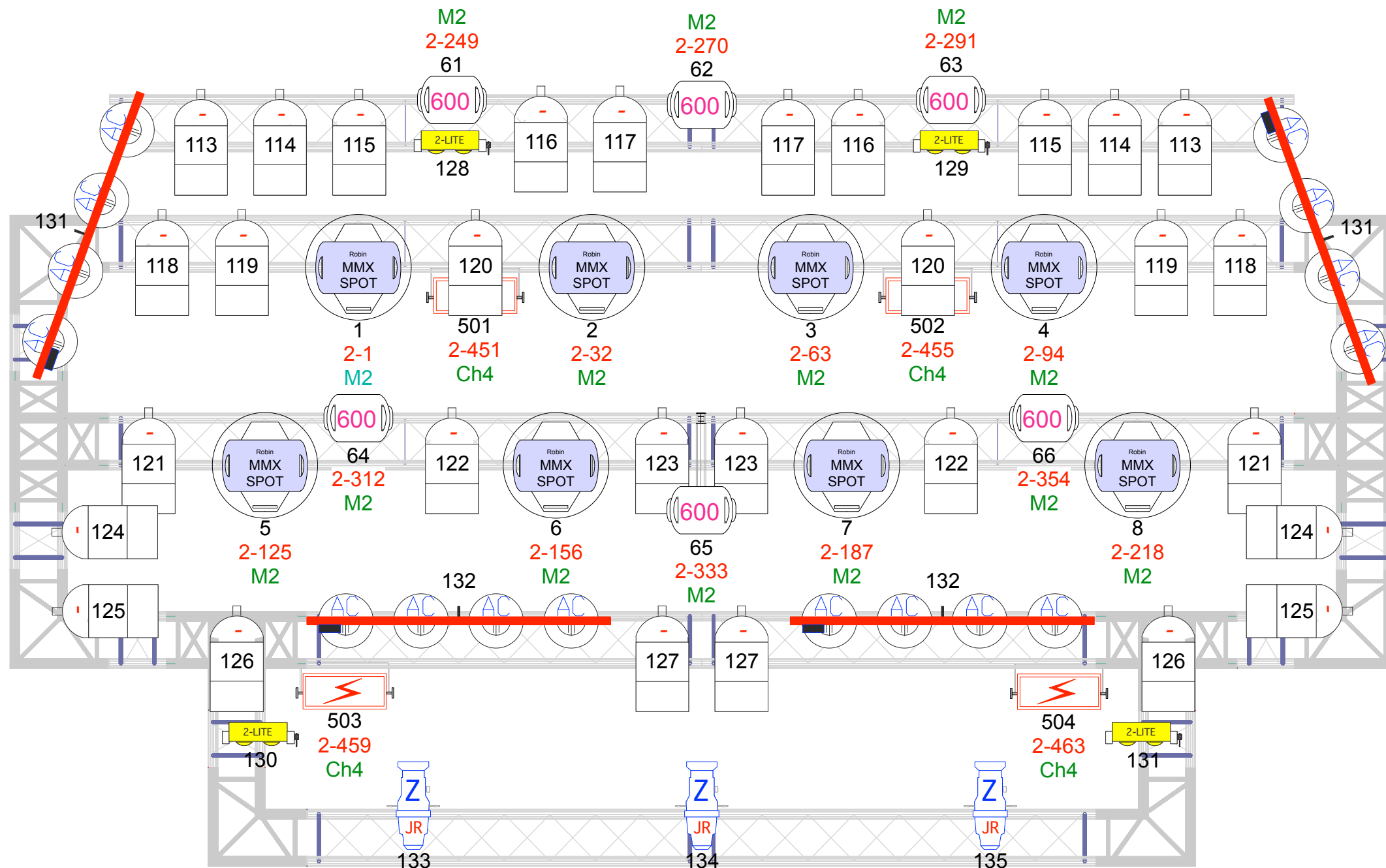


Second Hall - Stage



| MovingLight: All Layers | | | | Conventional: All Layers | | |
|-------------------------|-----|------------------------|------|--------------------------|-----|---------------------------------|
| Qty | Sym | Type | Mode | Qty | Sym | Type |
| 4x | | STROBE ATOMIC 3000 | Ch4 | 28x | | PAR64 220 Black |
| 8x | | ROBIN MMX SPOT | M2 | 4x | | 2Light Par36 |
| 6x | | ROBIN 600 LED Wash | M2 | 4x | | Fourbar ACL Black (1/2 Set) |
| 6x | | COLORCOMMAND | Ch4 | 3x | | Source Four Profiel Junior ZOOM |
| 1x | | Color Power Max 12 Out | | 6x | | Profil 1 Kw |

Showdate: 09-2018 till 07-2019

Loadin: 08-2018

Loadout: 07-2019

Jobnumber:

Client:

Patronaat

Lighting Designer:

Lighting Department

Stage Designer:

Director:

Scale:

1:25

Papersize:

A3

File:

PT_KZ_2018_v01.vwx

Drawn by:

Lennart

Studio: Patronaat - Second Hall

Address: Zijlsingel 2, Haarlem

Printdate: 31-08-2018

Printed by: Lennart